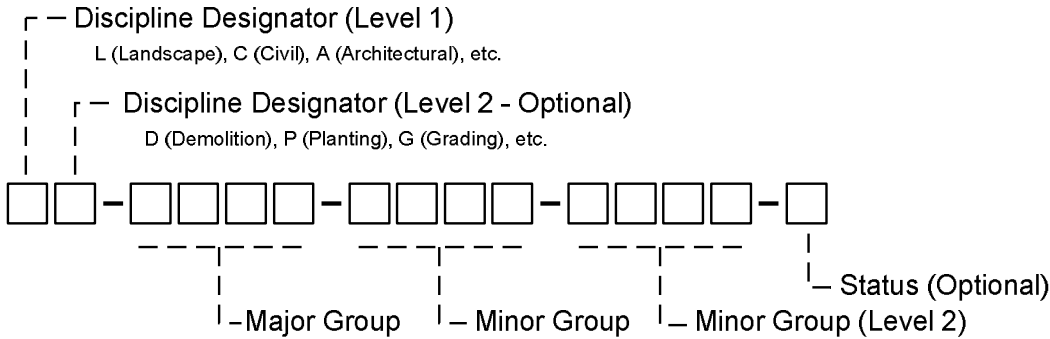


CAD LAYER NAMING GUIDELINES

NATIONAL CAD STANDARDS LAYER NAMING CONVENTIONS V3.1

NCS Basic Format



Discipline Designator (Level 1)

Discipline Designator in a one letter identifier that defines “Agent Responsible” (Design Professional who is professionally liable for the information by virtue of professional licensure and role on the project)

A B C D E F G H I L M O P Q R S T V W X Z are used by NCS.

Discipline Designator (Level 2)

One letter modifier of the Discipline Designator, an optional modifier as needed. Designators vary by discipline, with some examples:

- D Demolition
- I Irrigation
- P Planting
- G Grading
- R Relocation
- S Site
- L Lighting
- J, K *user defined*

Status

Optional where required

- N New Work
- E Existing to Remain
- D Existing to Demo
- 1-9 Phases

Major Group Codes

Four letter identifier to describe the major group. These vary by discipline, with some examples:

ANNO	Annotation
BLDG	Building
BNDY	Political boundary
BRKL	Break line
BLIN	Base line
DETL	Detail
ESMT	Easement
FENC	Fence
IRRG	Irrigation
PLNT	Planting
PVMT	Pavement
ROAD	Road
RRAP	Riprap
PRKG	Parking
PROP	Property boundaries
SWLK	Sidewalk
TOPO	Topographic
WALL	Wall
WATR	Water supply

Minor Group Codes

Four letter identifier to further describe the major group. These vary by discipline, with some examples:

DIMS	Dimensions
LABL	Label
LEGN	Legend
MATC	Match line
NOTE	Notes
REFR	External reference
SCHD	Schedule
SYMB	Symbols
TITL	Drawing or detail title
TTLB	Border or title block
TEMP	temporary
TOPB	Top of bank
TRAL	Trail/path
TREE	Trees
TURF	Turf area
UNDR	Underground
VEGE	Vegetation, trees, shrubs, etc

Annotation Layer Guidelines

Annotation consists of text, dimensions, notes, sheet borders, detail references

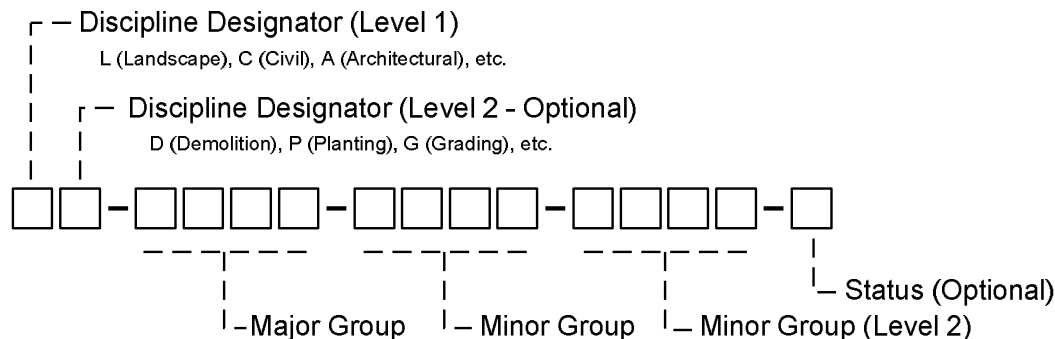
XX-ANNO-as follows

DIMS	dimensions
IDEN	Identification tag
KEYN	keynotes
LABL	labels
LEGN	legends, symbol keys
MATC	match line
NOTE	note
NPLT	non plot
REVC	revision cloud
REVS	revision
SCHD	schedules
SYMB	reference symbols
TEXT	text
TITL	title of drawing or detail
TTLB	title block

LAND F/X LAYERS

The naming of Land F/X layers conform to the National CAD Standards (NCS) V3.1 where possible. Land F/X primarily deals with layer naming of blocks that make up the components of Land F/X, and various related code layers such as for error checking or block placement. The naming of this type of layers is usually not considered by NCS, and as such, they are fairly unique. The layer names used in Land F/X by code can be adjusted to the users needs in the Land F/X Preferences. The layer names used in Land F/X blocks can be changed and adjusted on a mass level with the Land F/X function called *BatchMan*.

Land F/X Basic Format



Discipline Designator (Level 1)

Discipline Designator in a one letter identifier that defines “Agent Responsible” (Design Professional who is professionally liable for the information by virtue of professional licensure and role on the project)

- L Landscape
- V Survey

Discipline Designator (Level 2)

One letter optional modifier of the Discipline Designator. Designators vary by discipline, with some examples:

- LI Landscape Irrigation
- LP Landscape Planting
- LS Landscape Site
- LL Landscape Lighting
- LK Block

Land F/X Blocks Layer Naming

Discipline Designator

- LK- Landscape Block

Major Group Identifiers

- CONC Concrete
- MSRY Masonry
- METL Metal
- WOOD Wood
- IRRG Irrigation
- PLNT Plant
- TEXT Text
- TREE Tree
- SHRB Shrub

Minor Group Identifiers

Used to further define the Major Group Identifiers, or used without a Major Group Identifier to generically define a block layer intent, i.e., simply drawing a line within a block with no distinct Major Group, as in LK-013M to define a thin line defining the block in a generic sense.

-013M	0.013mm (0.005") line weight
-025M	0.25mm (0.010") line weight
-035M	0.35mm (0.014") line weight
-050M	0.50mm (0.020") line weight
-070M	0.70mm (0.028") line weight
-100M	1.00mm (0.040") line weight
-CNTL	Center line
-HIDD	Hidden line
-NPLT	Non-plot
-PATT	Pattern

Land F/X Detail Layer Naming**Discipline Designator**

L-DETL	Landscape Detail
*-DETL	"C" Civil Detail; "A" Architectural Detail, etc.

Major Group Identifiers

-013M	0.013mm (0.005") line weight
-025M	0.25mm (0.010") line weight
-035M	0.35mm (0.014") line weight
-050M	0.50mm (0.020") line weight
-070M	0.70mm (0.028") line weight
-100M	1.00mm (0.040") line weight
-CNTL	Center line
-HIDD	Hidden line
-NPLT	Non-plot
-PATT	Pattern
-DIMS	Dimension line
-FLFAB	Filter Fabric
-GRID	Grid
-PROP	Property Line
-RBAR	Reinforcement
-SM50	Screened Medium (0.35mm, 0.014") line, screened to 50 percent
-SM60	Screened Medium (0.35mm, 0.014") line, screened to 60 percent
-SM70	Screened Medium (0.35mm, 0.014") line, screened to 70 percent
-SM80	Screened Medium (0.35mm, 0.014") line, screened to 80 percent
-TEXT	Text

Minor Group Identifiers

-013M	0.013mm (0.005") line weight
-025M	0.25mm (0.010") line weight
-035M	0.35mm (0.014") line weight
-SECT	Section
-ELEV	Elevation
WWFR	Woven wire fabric

Land F/X Irrigation Layer Naming**Discipline Designator**

LI-* Landscape Irrigation

Major Group Identifiers

-COVR	Coverage
-DRIP	Drip
-EQPM	Equipment
-LTRL	Lateral pipe
-MAIN	Mainline pipe
-SLVE	Sleeve
-SPKL	Heads
-VALV	Valve

Land F/X Planting Layer Naming

LP-TREE	Tree
LP-SHRB	Shrub
LP-VINE	Vine

Land F/X Site Layer Naming

These are suggested layer names, and are not used in any Land F/X code or blocks.

Discipline Designator

LS-* Landscape Site

Major Group Identifiers

-CURB	curb
-CURB-BACK	back of curb
-CURB-FACE	face of curb
-DECK	decking
-FENC	fencing
-FENC-LINK	
-FENC-LINK-04FT(etc)	
-FENC-WOOD	
-FURN	furnishing
-PVMT	pavement edge
-PVMT-CONC	
-PVMT-JNTC	joint control
-PVMT-JNTE	joint expansion
-PVMT-PAVR	pavement edge unit pavers
-PVMT-STEP	
-RRAP	riprap
-SPRT	sports field
-SPRT-EQPM	equipment
-SPRT-PRIM	perimeter
-WALK	
-WALL	wall
-WALL-RTWL	retaining wall
-TOPO	proposed grading
-TOPO-INDX	index contour
-TOPO-INTR	intermediate contour
-TOPO-LIMI	limit of grading
-TOPO-SPOT	spot elevations